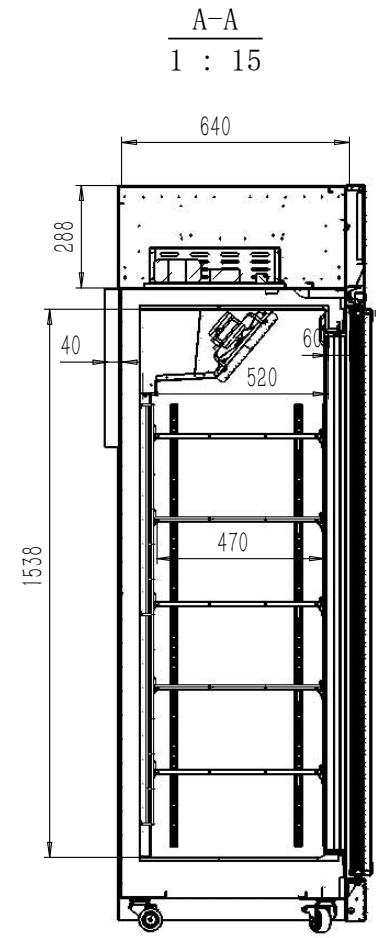
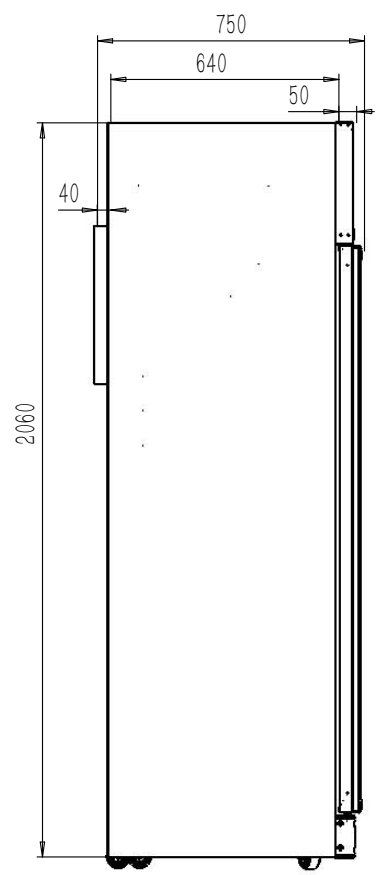
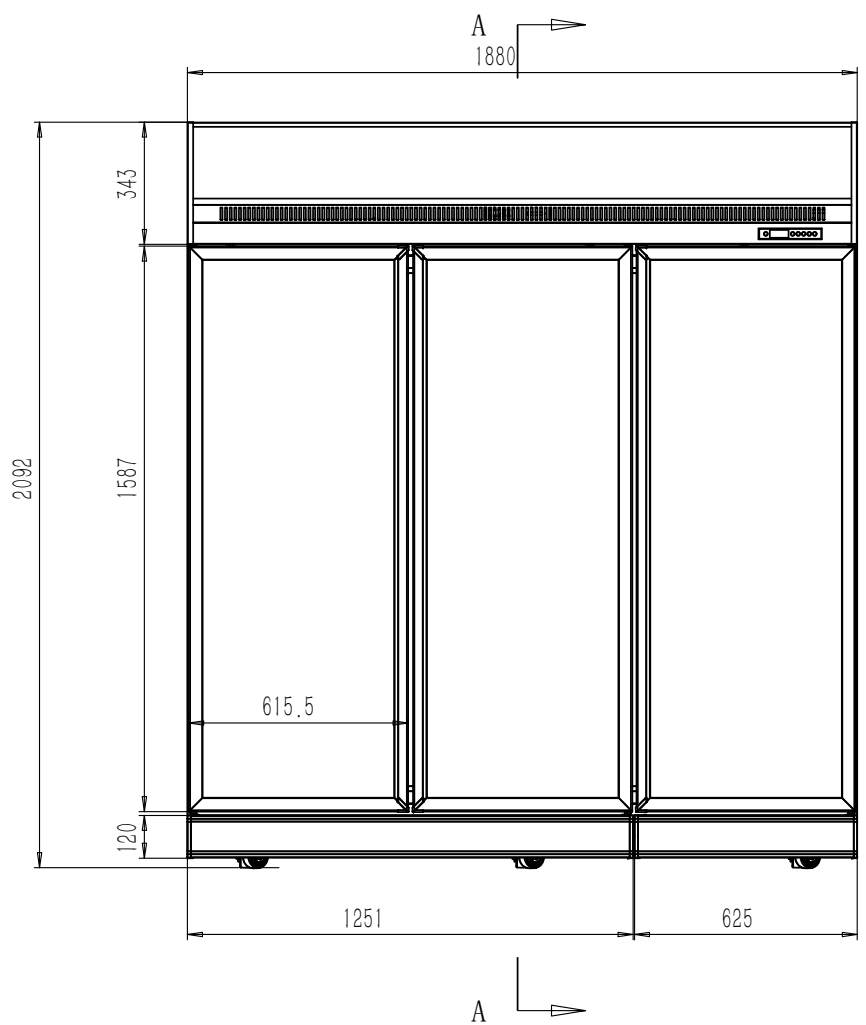


A
B
C
D
E
F

2 3 4 5 6 7 8



Cold Display Solutions
COMMERCIAL REFRIGERATION
HIRE · LEASE · BUY

DESIGN	2024/2/27	PART NO. PART NAME	Material code			
CO. BY		CDS1530 Elegance Black Freezer				
STANDARD		MATERIAL	FORMATSIZE	WEIGHT	SCALE	REV.NO
PROCESS			A3		1:50	A01
APPROVE		1 TOTAL SHEETS				
AUTHORIZE		1 NO OF SHEETS				
			Cold Display Solutions Pty Ltd			

2 3 4 5 6 7 8